

XY-FI Micro Emergency Light



Specification

SKU	BRI-UFOHB80
Lumen output	80 lm
Drive current	275 mA
CCT	5700 K
CRI	75
Beam angle	120°
Conductors	AWG28
Wire loom	3mm outer dia
Weight	20g
Max case temperature (tc)	+65°C
Power rating	0.9 W
Eye protection	
Rating	Risk group 1
Supply voltage	230V AC

Supply frequency	50/60 Hz
Supply current	30mA max
Power factor	0.45
Battery charge current	200 to 250 mA
Battery charge voltage	3.0 to 4.6V
Battery discharge current	0.25 to 0.45A
Battery discharge voltage	2.4 to 4.4V
Rated duration	3 hours
Ambient temperature (ta)	0°C to +45°C
Max case temp (tc)	+70°C
Conductor size (remote)	0.25 to 0.45A
Conductor size (conversion)	2.4 to 4.4V
Weight of control gear	240g (inc battery)

Central Battery Versions

Supply voltage	96 to 265V AC
Supply frequency	50/60 Hz
Supply current	30mA maximum
Power factor	0.40
Hold-off supply	: 230Vac 50/60Hz (9mA max)
Hold-off change over voltage	138 to 195Vac
Ambient temperature (ta)	0°C to +40°C
Max case temperature (tc)	+70°C
Conductor size	0.5 to 1.5mm ²

Relevant Standards

EN 61347-2-7	EN 62386
EN 61347-2-13	EN 62031
EN 60598-2-22	EN 62471
BS 5266-1	EN 62034

Technology Options

Standard

For applications where self-testing is not required or suitable, the non-AutoTest® option provides the same quality and performance expected of Mackwell products, without the AutoTest® feature.

DALI AutoTest®

Provides further benefits by enabling testing and monitoring of an emergency lighting system either on-site or via an internet connection. DALI AutoTest® is ideal for monitoring larger buildings and multiple sites.

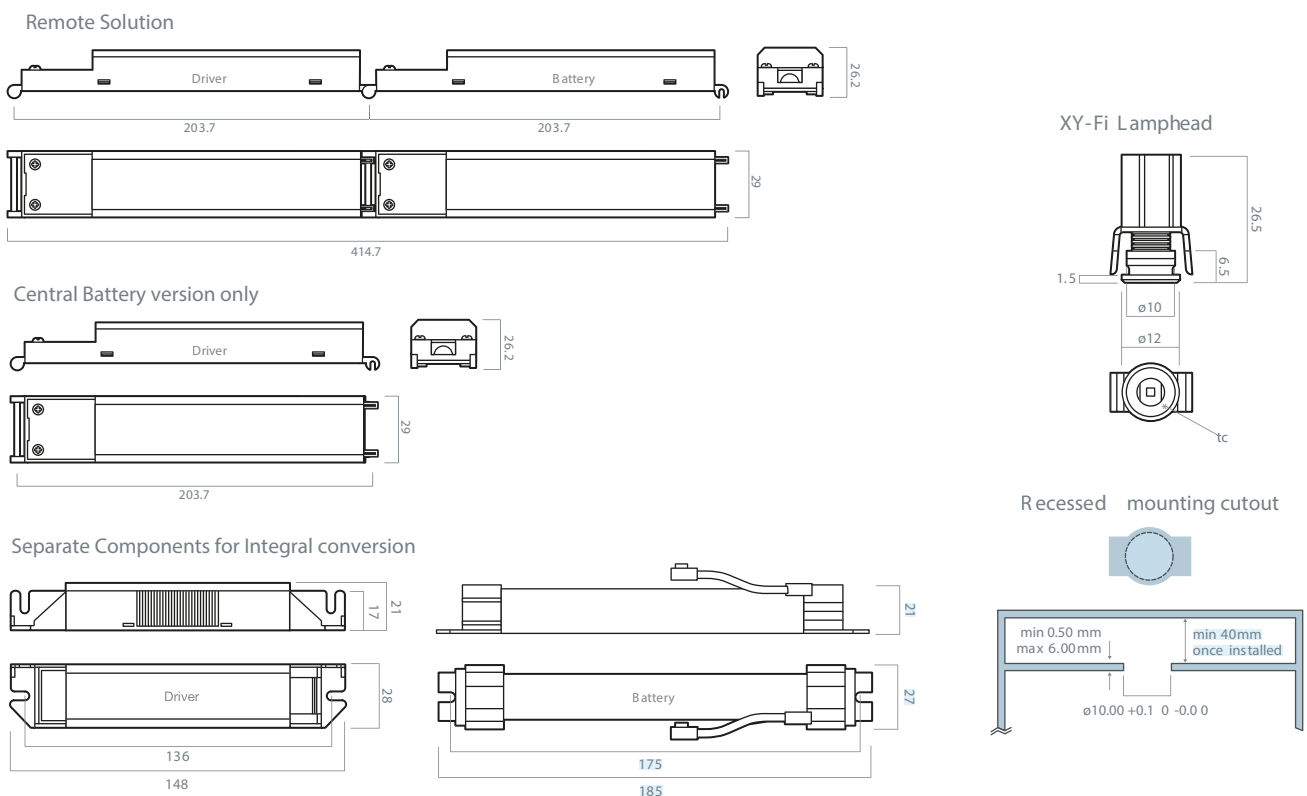
Central Battery

Suitable for central battery applications that use a nominal AC or DC supply of 110V to 240V that includes a hold-off input to inhibit the LED driver output when a mains supply is connected.

Batteries

XY-Fi includes a 3.6V 2.2Ah NiMH rechargeable battery pack for 3 hours operation.

Dimensions



Spacing information

Open-Area (based on min. 0.5 lux)

Mounting Height (m)	Distance Luminaire to Luminaire (m)	Distance Luminaire to wall (m)
2.0	5.50	2.80
2.5	6.30	3.00
3.0	6.90	3.15
3.5	7.20	3.20
4.0	7.50	3.30

Escape Route Area (based on min. 1 lux)

Mounting Height (m)	Distance Luminaire to Luminaire (m)	Distance Luminaire to wall (m)
2.0	6.37	2.47
2.5	6.88	2.59
3.0	7.22	2.61
3.5	7.39	2.45
4.0	7.43	2.22

The spacing tables above are suitable for use as guidelines and for easy comparison of similar products.

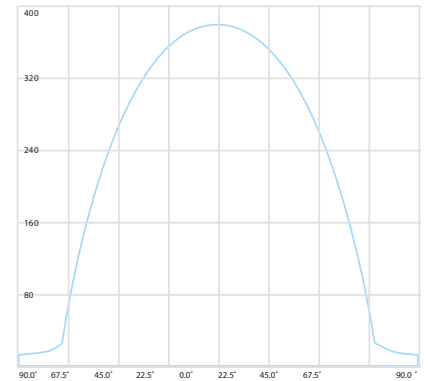
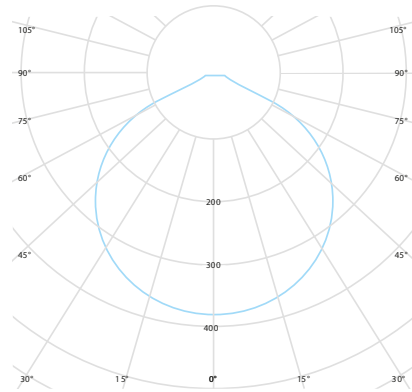
Due to the nature of creating generic lighting schemes, all schemes should be simulated or calculated in full, representing as accurately as possible the final application, and ensuring compliance with local regulations.

NB: Spacing data is given for bare light engine assembly. Addition of secondary diffusion/optics will alter results.

XY-Fi

The world's smallest emergency LED solution

Photometric details



Compatible with our N-light® CONNECT DALI monitoring system

XY-Fi is compatible with Mackwell's N-light® CONNECT emergency lighting monitoring system to enable configuration, testing, and supervision of emergency luminaires via a 2-way communication interface.

Product options

Order



Remote conversion* 9005291



Separate components for integral conversion

Technology	Description
Standard	Remote Kit White
DALI	Remote Kit White
Central Battery	Remote Kit White

Order code	Technology	Description
9005028	Standard	Conversion Kit White
9005027	DALI	Conversion Kit White
9005201	Central Battery	Conversion Kit White

*Articulated driver supplied with separate lamp head for installation.