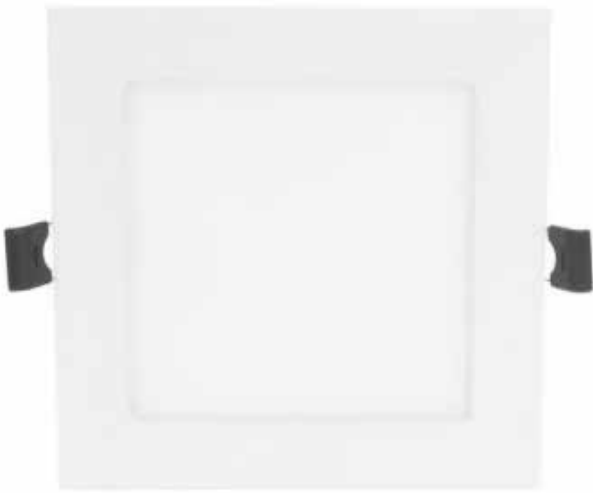


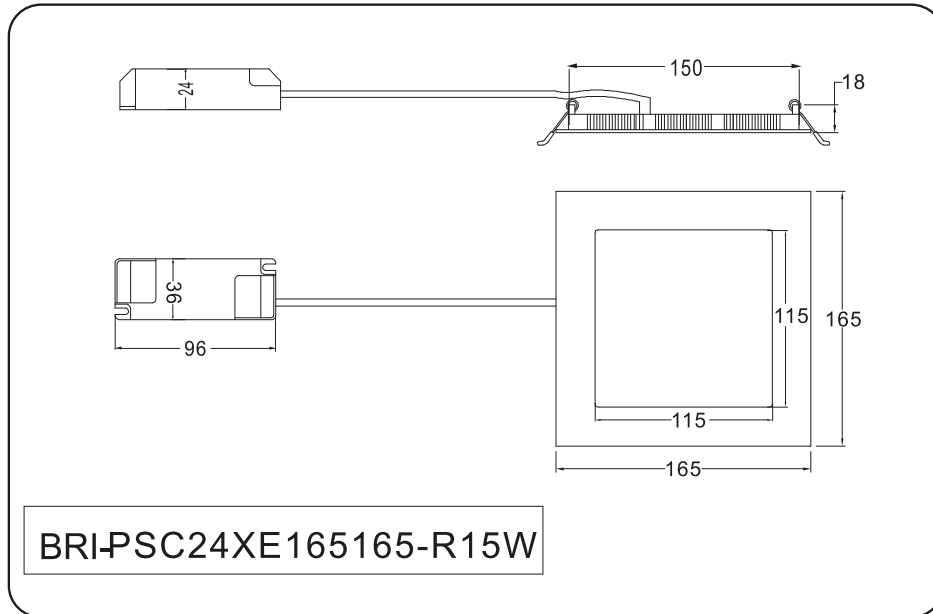
LED Slim Panel Light | R Series | Square



Specification

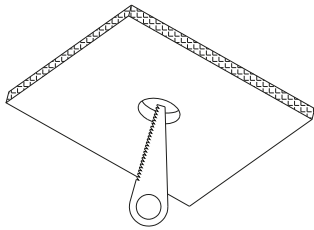
SKU	BRI-PSC24CE115115-R10W
Colour	Cool White
Wattage (W)	15W
CCT(K)	5700-6500K
Dimensions	155*155
Lumen (+10%)	1290 lm
IP Code	IP40
Input Voltage	220-240VAC
LED Type and Qty	SMD 2835
CRI	≥80
PF	-
Warranty	3 Years

Dimension (mm)



Installation

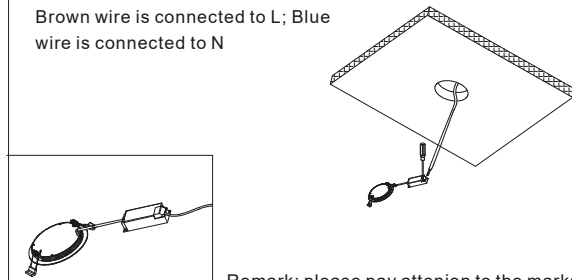
1. Drill hole according model



Note :Please check the hole size at model list table

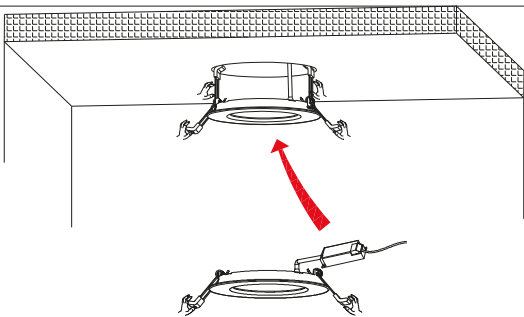
2. Wire connection

Brown wire is connected to L; Blue wire is connected to N



Remark: please pay attention to the marks on the driver and connect the cable correctly.

3. Embed the light into the hole of ceiling



Installation requirements

1. Power off before installation
2. Drill proper hole into the ceiling according to product model
3. Connect AC wire
4. Embed the light into ceiling hole
5. Light up and test; installation finish