



Tel: 0161 850 0905  
Email: info@britektechnologies.com

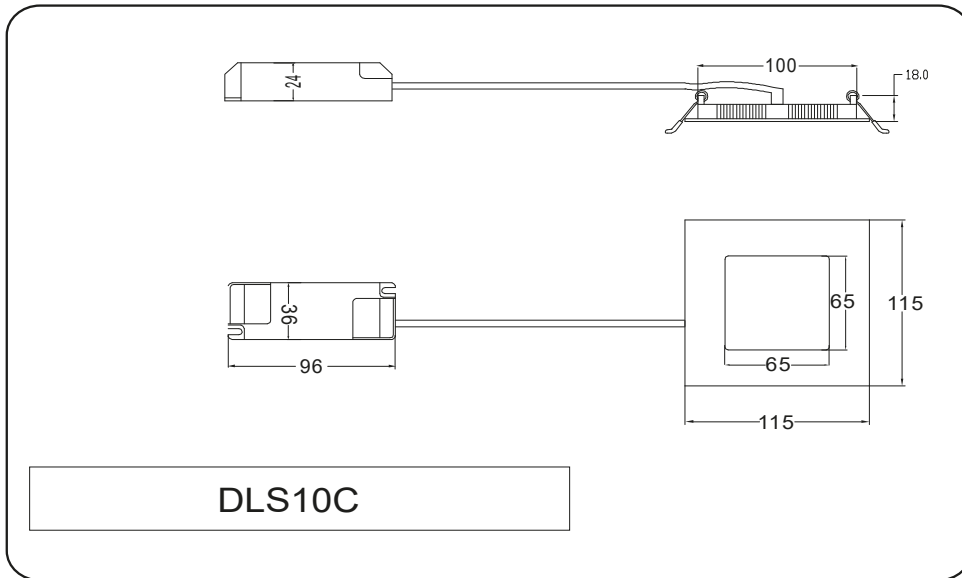
## LED Slim Panel Light | R Series | Square



## Specification

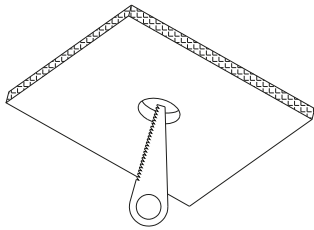
|                  |            |
|------------------|------------|
| SKU              | DLS10C     |
| Colour           | Cool White |
| Wattage (W)      | 10W        |
| CCT(K)           | 5700-6500K |
| Dimensions       | 105*105    |
| Lumen (+10%)     | 620 lm     |
| IP Code          | IP40       |
| Input Voltage    | 220-240VAC |
| LED Type and Qty | SMD 2835   |
| CRI              | ≥80        |
| PF               | -          |
| Warranty         | 3 Years    |

# Dimension (mm)



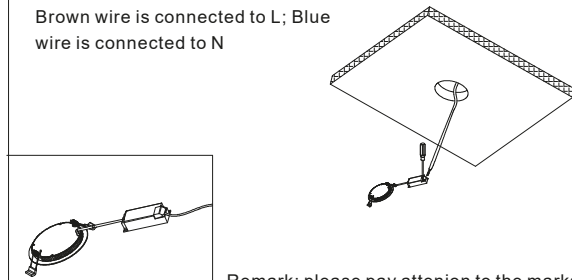
# Installation

1. Drill hole according model



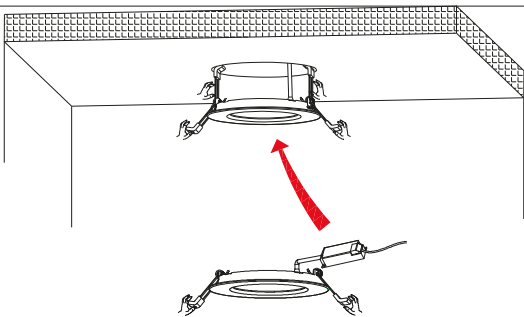
Note :Please check the hole size at model list table

2. Wire connection  
Brown wire is connected to L; Blue wire is connected to N



Remark: please pay attention to the marks on the driver and connect the cable correctly.

3. Embed the light into the hole of ceiling



## Installation requirements

1. Power off before installation
2. Drill proper hole into the ceiling according to product model
3. Connect AC wire
4. Embed the light into ceiling hole
5. Light up and test; installation finish