



Tel: 0161 850 0905

Email: info@britektechnologies.com

## BRI BRI-DB121 (Linkable) Series



### Specification

SKU:	BRI-DB121B-1800-55W-S7		
Dimensions	1803*65*66		
Wattage (W)	55W		
Rated Input Voltage	AC220-240V		
Input Voltage	AC220-240V		
LED Module Input	-		
Light Source	SMD 2835		
SDCM	<6		
CCT(K)	1-CCT: 3000K/4000K/5000K/5700K 3-CCT: 3000K + 4000K + 5700K		
CCT Selection DIP Switch	Yes		
Luminous Flux (lm) +5%	NON-DIM	1-CCT	5950-7200
	DIM		-
	NON-DIM	3-CCT	5950-7200
	DIM		-
CRI	80		

LED Driver	Built In
Sensor	Microwave sensor and Daylight sensor
Emergency Kits	Yes
Electrical Class	Class I
Ingress Protection (IP Rating)	IP20
Impact Resistance (IK Rating)	IK08
Product Finishing(Base)	White RAL 9016
Materials of Optics	PC
Material Of Housing	PC/SPCC
Lifetime (hr)	50000hr
Glow Wire Test (°C)	750°C
Operating Temp (°C)	-20°C ~40°C
Storage Temp (°C)	-20°C ~65°C
Installation	Surface mount / Pendant
Beam Angle	120°

## Measurement

Code	Dimension(mm)			Size(mm)	Product Weight (Kg)		Package weight (Kg)		Carton Size(cm)	Qty/CTN	20GP (pcs)	40HQ (pcs)
	A	B	C		N.W/PC	G.W/PC	N.W/CTN	G.W/CTN				
1.8M	1803	65	66	1803*65*66	2.132	2.51	12.792	16.56	185*22.5*17	6	2418	5676

## Driver Datasheet(Microwave sensor)

Total load wattage		17W	20W	38W	35W	58W	55W	
Output	Output Voltage range	DC 60-75V						
	Rated output current	240mA	240mA	500mA	460mA	750mA	700mA	
	Line Regulation	±5%						
	Setup, Rise Time	<0.5S						
	Flickering Index	0.8%(NO RISK)		0.9%(NO RISK)		1%(NO RISK)		
Input	Input Voltage	AC200-240V						
	Rated Input Voltage(V)	AC230V						
	Frequency	50/60Hz						
	Input Current	≤0.1A	≤0.12A	≤0.22A	≤0.2A	≤0.32A	≤0.31A	
	Rated Input Current	≤0.09A	≤0.1A	≤0.19A	≤0.18A	≤0.28A	≤0.28A	
	Power Factor	≥0.9						
	THD	<20% @230V						
	Efficiency	≥84%			≥86%			
	No load wattage	≤0.7W						
Protection	Short circuit protection	Pass						
	Over voltage protection	Pass						
	Over temperature protection	Pass						
Safety & EMC	Withstand voltage	-						
	Isolation Resistance	-						
	Surge	IEC/EN61000-4-5(P<25W L-N:500V, L/N-PE:1KV);			IEC/EN61000-4-5 (P≥25w L-N:1KV, L/N-PE:2KV)			
	EMC Emission	EN55015, EN61000-3-2						
	EMC Immunity	EN61000-4-2,3,4,5,6,8,11; EN61547						

## Driver Datasheet(Non-dimmable)

Total load wattage		22W	38W	35W	58W	55W	70W
Output	Output Voltage range	DC 30-40V			DC 60-75V		
	Rated output current (Emergency)	550mA	900mA	850mA	800mA	700mA	950mA
	Line Regulation	±5%					
	Setup, Rise Time	≤0.5S @230V					
	Flickering Index	0.8%(NO RISK)	0.5%(NO RISK)		0.25%(NO RISK)		
Input	Input Voltage	AC200-264V			AC 200-264 V		
	Rated Input Voltage(V)	AC220-240V			AC200-240V		
	Frequency	50/60Hz					
	Input Current	≤0.13A	≤0.22A	≤0.2A	≤0.32A	0.30A	0.38A
	Rated Input Current	≤0.12A	≤0.2A	≤0.19A	≤0.28A	0.26A	0.33A
	Power Factor	≥0.9					
	THD	<20% @230V					
	Efficiency	≥88%	≥90%		≥89%		
	No load wattage	<0.5W@230Vac					
Protection	Short circuit protection	Pass					
	Over voltage protection	Pass					
	Over temperature protection	Pass					
Safety & EMC	Withstand voltage	I/P-O/P:3.75KVac,<5mA 60S					
	Isolation Resistance	I/P-O/P: 500VDC, ≥100M Ω					
	Surge	IEC/EN61000-4-5(P<25W L-N:500V, L/N-PE:1KV);	IEC/EN61000-4-5 (P≥25w L-N:1KV, L/N-PE:2KV)				
	EMC Emission	EN55015, EN61000-3-2					
	EMC Immunity	EN61000-4-2,3,4,5,6,8,11; EN61547					

## Driver Datasheet (Emergency) 3W

Rated Input Voltage(V)	AC230V
Frequency	50/60Hz
Input Voltage	AC200-240V
Total load wattage	3W±0.5W
Rated Input Current	≤0.03A
Battery	6.4V 1500mAh (LifepO4)
Lifetime	Over 2000 cycles
Battery duration	≥3hrs
Charge Period	≤ 24hrs
Rated Input Current	300mA±5%
Power Factor	≤ 1p

## Driver Datasheet(Sensor S7)

Output Voltage	DC7-12V
Power Consumption	0.5W±0.2W
Microwave Frequency	5.8GHZ±75MHz, ISM wave band
Setup, Rise Time	<0.5mW
Direction angle	140°
Detection Area	4-6M
Hold Time	55/60S/3min/10min
Daylight Sensor	30lux/disable
Stand-by DIM Level	0% / 20%
Stand-by Period	15min /
Dimming Range	-
Microwave ON/OFF function	-
Installation Height	Wall Mounted 1.8m, Ceiling Mounted 3m
Operating Temperature(°C)	-20°C ~ 60°C

## User Manual

### Introduction

The batten light realizes simple disassemble with 4 fast buttons. Adopts high lumen SMD LED and high light transmittance PC shade. Easy installation and maintenance with high cost performance, 600mm, 1200mm, 1500, 1800mm size optional. It has multiple functions: interchangeable CCT, microwave sensor, splicing ,emergency design.

### Features

- Loop in/out and fast connector design for easier wire connection.
- 4 fast buttons in bracket for fast disassemble.
- High lumen efficiency, 120lm/w.
- Interchangeable CCT(3000/4000/5700K) with slide switch.
- Installation: Surface mounted, suspended, splicing available.
- Emergency available.
- Microwave sensor , Daylight sensor.

### Application Areas

It is widely used in workshop, warehouse, parking lot, factories, shopping mall etc.

# Instructions for automatic test option

- 1.Once the unit is powered up it will automatically initiate a self test and diagnostics as follows:
- Every 4seconds:Checks for battery disconnection,charger board fault,lamp failure and transformer failure.
  - Every month:Performs a 3minute duration test.
  - Every yeat:Performs a 1 Hour or 3 Hours duration test.
- All test functions are factory preset and do not need field adjustment.

- 2.Dual Colour Indicator LED Status Mesnings
- Green Solid On Ready/Normal Operation
  - Red Requires Service

•	One flash, 4 second pause	Battery not connected
••	Two flashes, 4 second pause	Battery short or low battery voltage
•••	Three flashes, 4 second pause	Charger board fault
••••	Four flashes, 4 second pause	Transformer fault
•••••	Five flashes, 4 second pause	LED lamp fault

NOTE:After repairing a service fault,press and hold the test button for 2 seconds to reset the flashing indicator light to green.

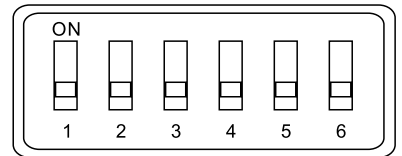
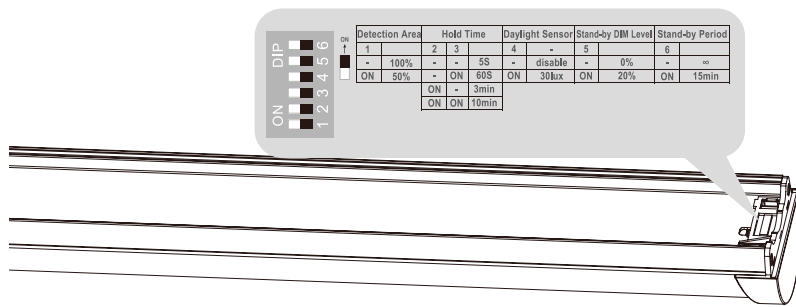
### 3.Manual Testing

Press test button once	30 second duration test
Press test button twice within 2 seconds	3 minute duration test
Press test button 3 times within 2 seconds	30 minutes duration test
Press test button 4 times within 2 seconds	1 or 3 hours duration test

Note: DALI & 1-10V driver specification, please refer to individual driver datasheet.

## Daylight & Microwave Sensor:

factory setting:



### Sensor Setting:

#### Detection area:

Detection area can be reduced by selecting the combination on the DIP switches to fit precisely each application.

Detection Area	
1	
-	100%
ON	50%

Notice 1: The test is based on a height of 3m, the radius is the ground detect distance,which can be selected through the slide switch.

Notice 2: The detective range is measured by human body whose stature is around 1.6-1.7M with medium size and traveling speed is around 1.0-1.5M per second. If the stature, bodily form and traveling speed are changed,then the detective range will be changed accordingly.

Notice 3: Test result will be highly influenced by test environment, the more open environment, the closer detect distance; the narrower environment, the longer detect distance. The detectormay do self-excitation in a narrow environment.

Hold Time		
2	3	
-	-	5S
-	ON	60S
ON	-	3min
ON	ON	10min

#### Hold time:

Refers to the time period the lamp remains at 100% illumination after no motion detected.

Notice 1: The hold time can be selected by the slide switch.

The hold time counting should be started after the sensor is powered on and initialized.

Daylight Sensor	
4	-
-	disable
ON	30lux

#### Daylight sensor:

The sensor can be set to only allow the lamp to illuminate below a defined ambient brightness threshold. When set to Disable mode, the daylight sensor will switch on the lamp when motion is detected regardless of ambient light level.

Notice 1: The light threshold can be selected through the slide switch, it may cause a large deviation in different lamps.

Stand-by DIM Level	
5	
-	0%
ON	20%

#### Stand-by dimming level:

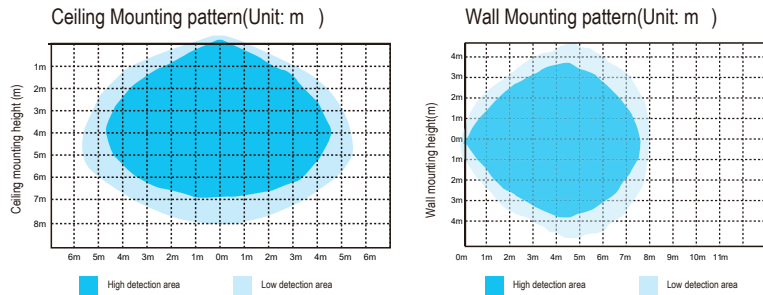
This is the dimmed low light output level you would like to have after the hold-time in the absence of people.

Stand-by Period	
6	
-	∞
ON	15min

#### Stand-by period:

This is the time period you would like to keep at the low light output level before it is completely switched off in the long absence of people.

# Induction Range



## Installation Procedure

### WARNING ⚡

1. Switch off before installation.
2. Switch on only after complete installation and examination of the circuit.
3. Professional electrician for installation and maintenance only.

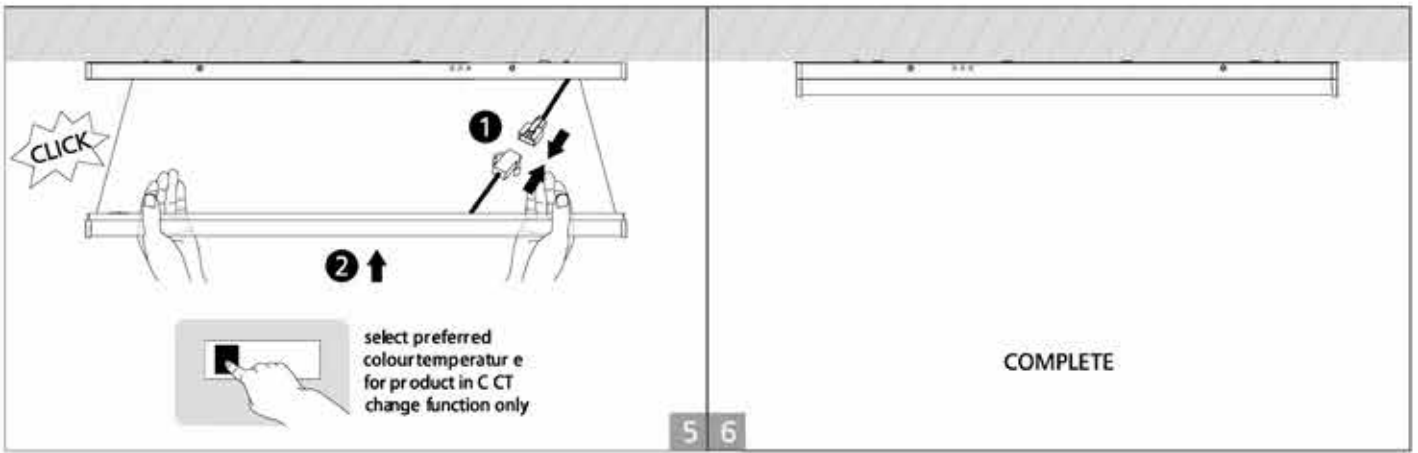


Turn Off power supply before starting any installation. Read instructions & check you have all the tools & accessories to complete the installation correctly.

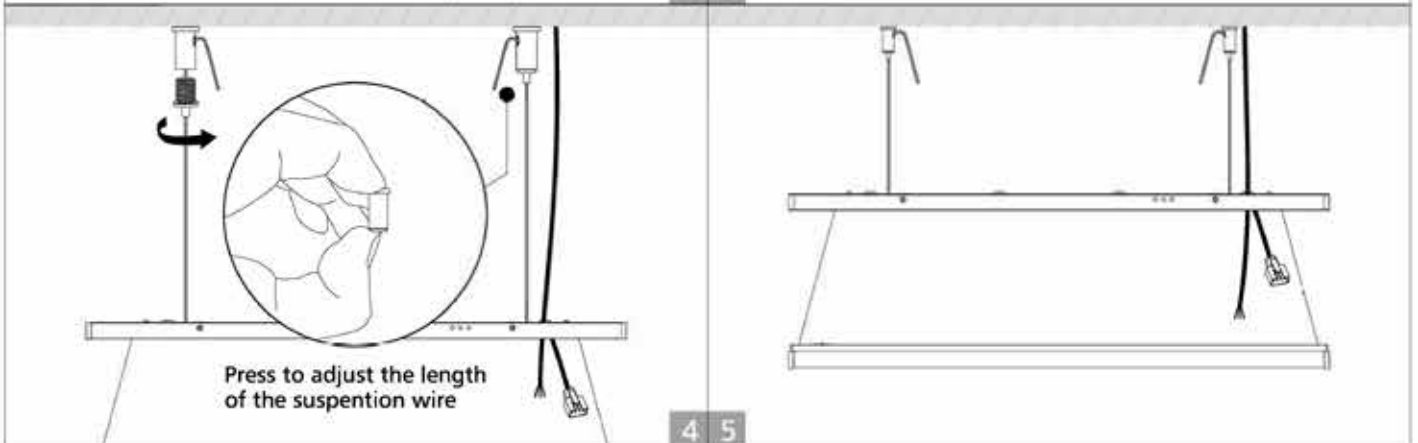
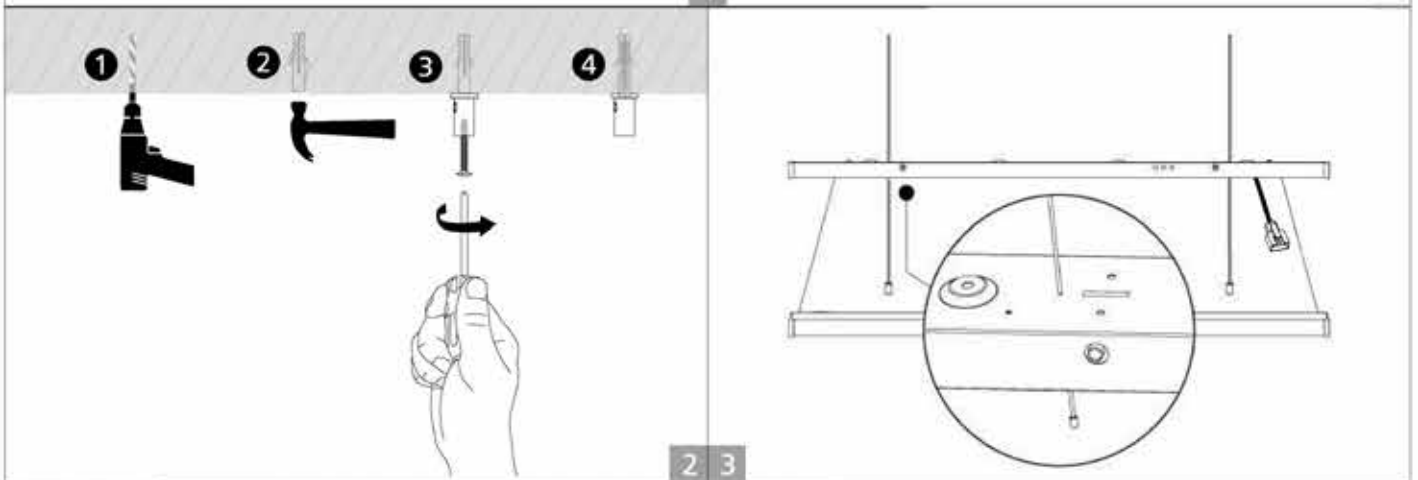
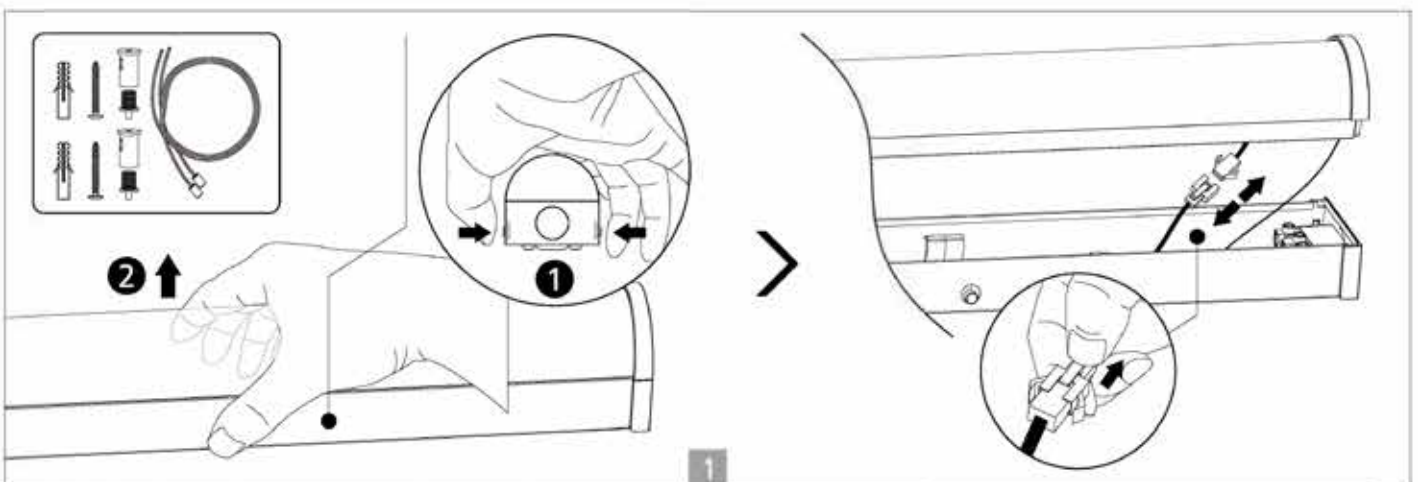
## Surface mounted installation

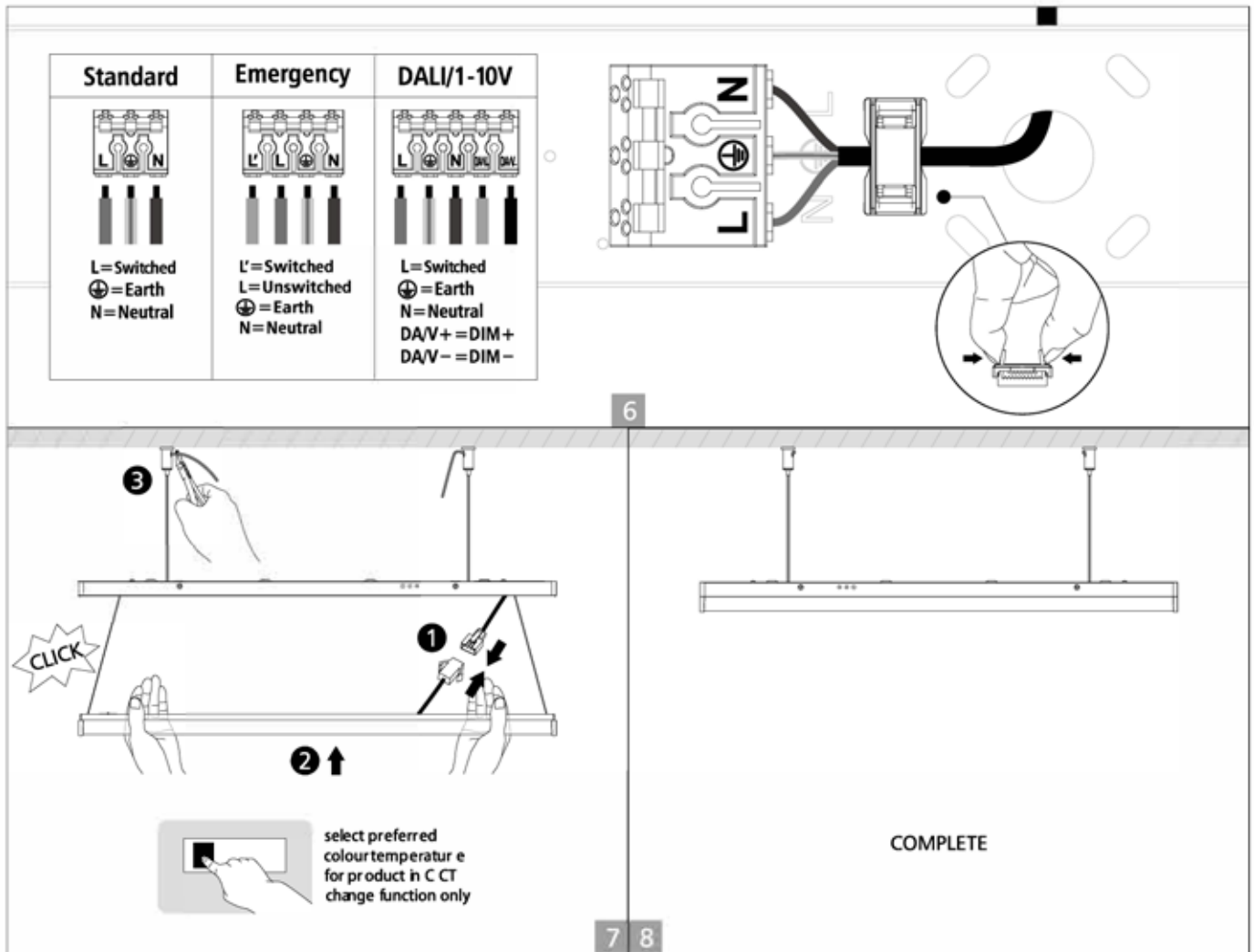
Standard	Emergency	DALI/1-10V
L = Switched ⊕ = Earth N = Neutral	L' = Switched L = Unswitched ⊕ = Earth N = Neutral	L = Switched ⊕ = Earth N = Neutral DA/V+ = DIM+ DA/V- = DIM-

4

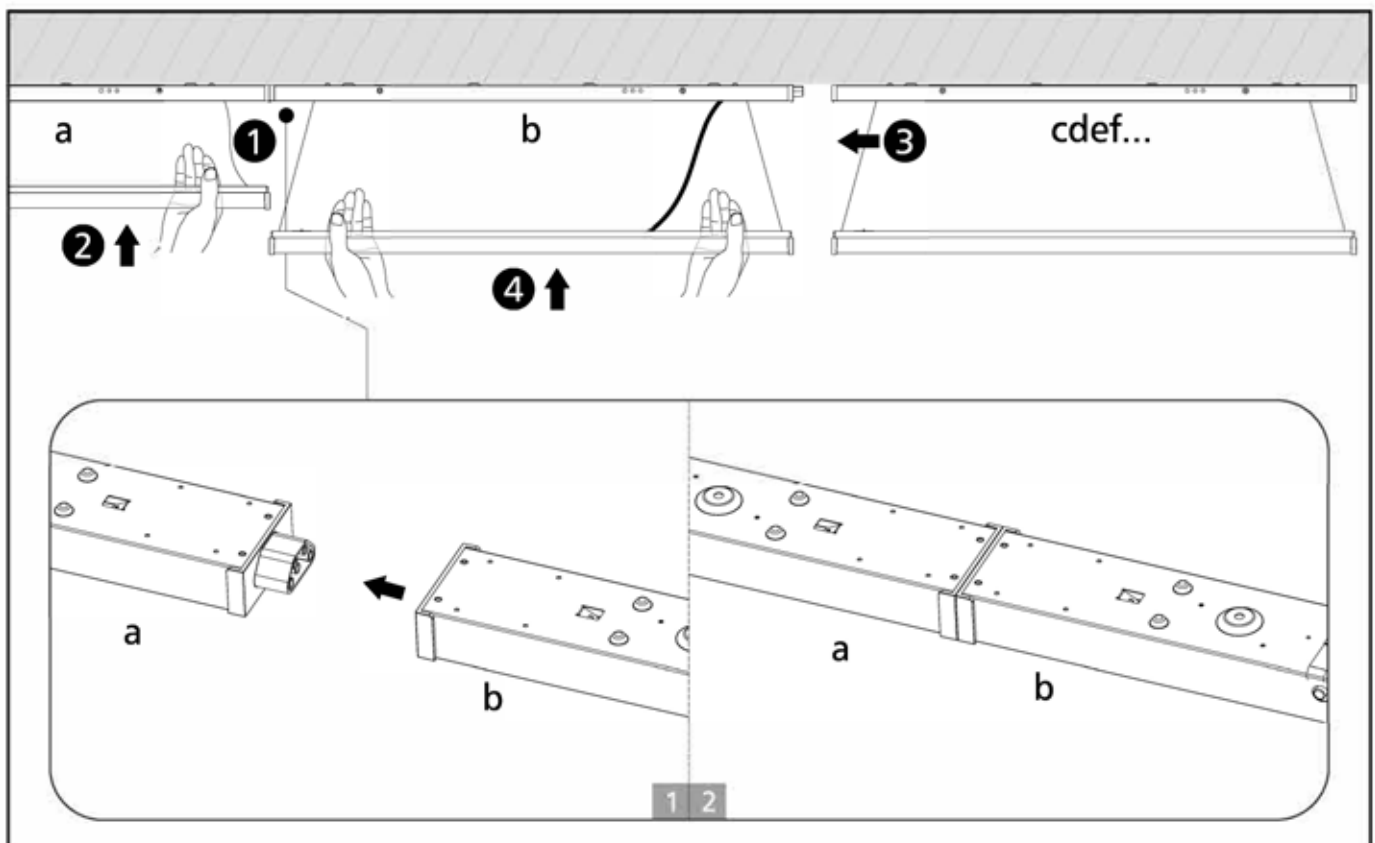


## Suspended installation



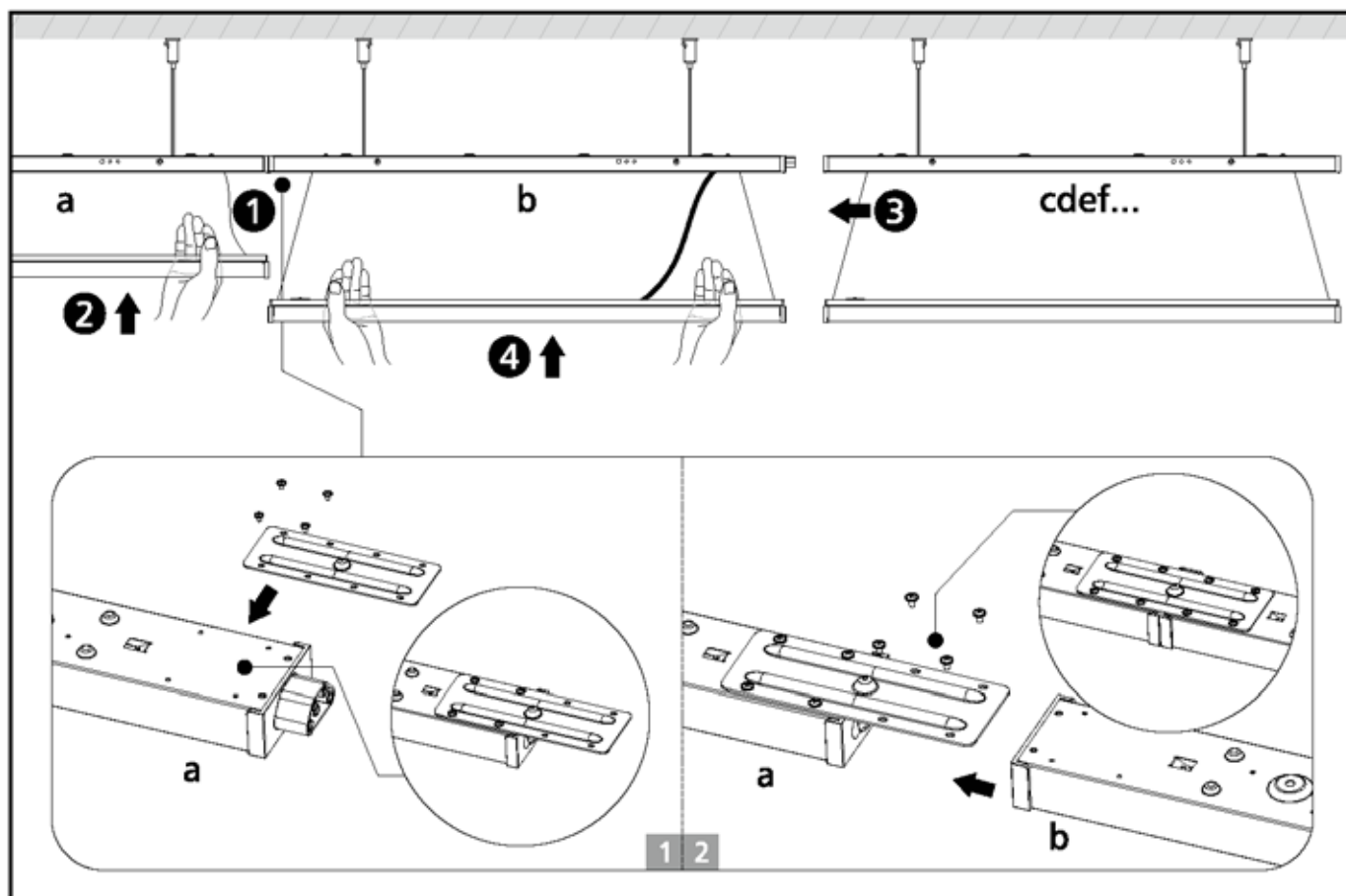


### Splicing for surface mounted installation





## ■ Splicing for pendant installation



### Splicing installation: Splicing Qty(Max)

Product specification	Splicing Qty(Max)
DB121-600-17W	Max: 100 PCS
DB121-1200-22W	Max: 75 PCS
DB121-1200-38W	Max: 45 PCS
DB121-1500-35W	Max: 50 PCS
DB121-1800-55W	Max: 32 PCS
DB121-1500-58W	Max: 30 PCS
DB121-1800-70W	Max: 25 PCS

